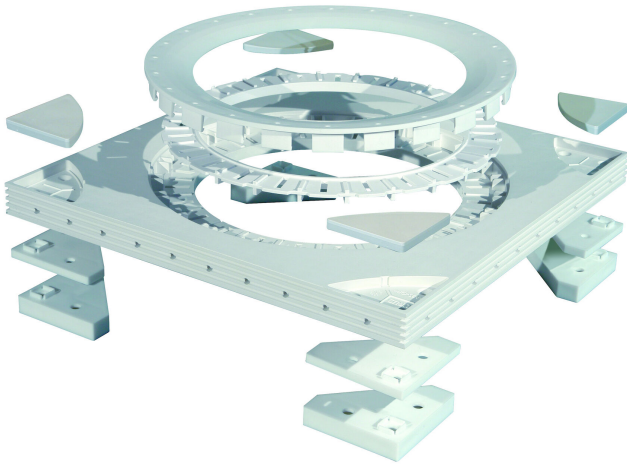


RSK 7133690



The Purus Plate 300 Multi is for installation of Purus' 130mm and 150mm diameter floor gullies into wooden joist floors. The Purus Plate is 22mm thick at the outer edge and has built-in falls to the drain. 6mm and 13mm spacer blocks can be purchased separately to increase the height. The Purus Plate 300 Multi is manufactured in ABS plastic, which can be glued.

Purus Plate 300 Mult fits Mini Brage, Mini Oden, Brage, Oden, Freja, Ymer, Våge, Flex, Duschbrunn, Loke, S-serie Brage and S-serie Oden in plastic. Rens 110, Balder and Sigyn in stainless steel.

## Specifications

<b>RSK Number</b>	7133690
<b>Floor Construction</b>	Wooden joist
<b>Function</b>	For Ø130/Ø150 mm drains
<b>Item Color</b>	White
<b>Material</b>	ABS
<b>Outlet Dimension</b>	Ø130/Ø150 mm
<b>Size</b>	300×300 mm
<b>Version</b>	For wooden joists

