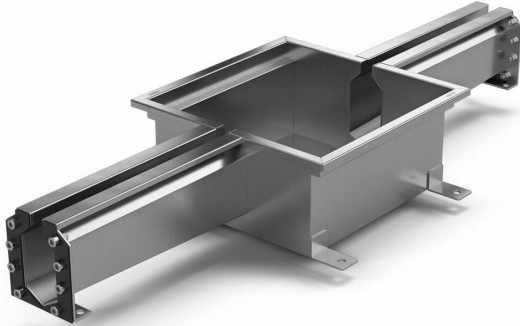


RSK 7098738

Purus channel spalte module is made of acid-resistant stainless steel for installation in concrete. The floor channel is intended for concrete, epoxy and tile floors without a waterproofing membrane Purus channel spalte module brunnen är 300x300x150, has an inlet and the outlet in the channel is located in the middle. Complete Purus channel spalte module drain with grid outlet house in acid-proof stainless steel and water trap.



RSK 7098739

Purus channel spalte module is made of acid-resistant stainless steel for installation in concrete. The floor channel is intended for concrete, epoxy and tile floors without a waterproofing membrane Purus channel spalte module brunnen är 300x300x150, has two inlets and the outlet in the channel is located in the middle. Complete Purus channel spalte module drain with grid outlet house in acid-proof stainless steel and water trap.

Specifications

RSK Number	7098738
Function	Bottom outlet
Item Color	Stainless
Material	Acid-resistant stainless steel 1.4404
Outlet Dimension	Ø75/Ø110 mm

Size 300×300

Surface Pickled

RSK Number 7098739

Function Bottom outlet

Item Color Stainless

Material Acid-resistant stainless steel 1.4404

Outlet Dimension Ø75/Ø110 mm

Size 300×300

Surface Pickled

