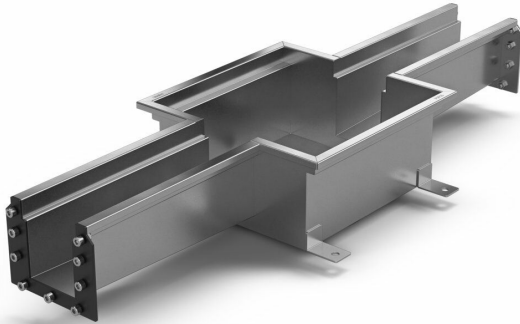


RSK 7098865



Purus channel 100 module is made of acid-resistant stainless steel for installation in concrete. The floor channel is intended for concrete, epoxy and tile floors without a waterproofing membrane. Purus channel 100 modul drain is 300×300, has two inlets and the outlet in the channel is located in the middle. Complete Purus channel 100 module with grid, outlet hous in acid-proof stainless steel and water trap.

## Specifications

<b>RSK Number</b>	7098865
<b>Floor Construction</b>	Concrete flooring
<b>Floor Covering</b>	Concrete
<b>Function</b>	Central outlet
<b>Item Color</b>	Stainless
<b>Material</b>	Acid-resistant stainless steel 1.4404
<b>Outlet Dimension</b>	Side/bottom in stainless steel in Ø75/Ø110 mm
<b>Size</b>	1000×300 mm
<b>Surface</b>	Pickled
<b>Version</b>	Do not forget grid/grating

