

RSK 3032526

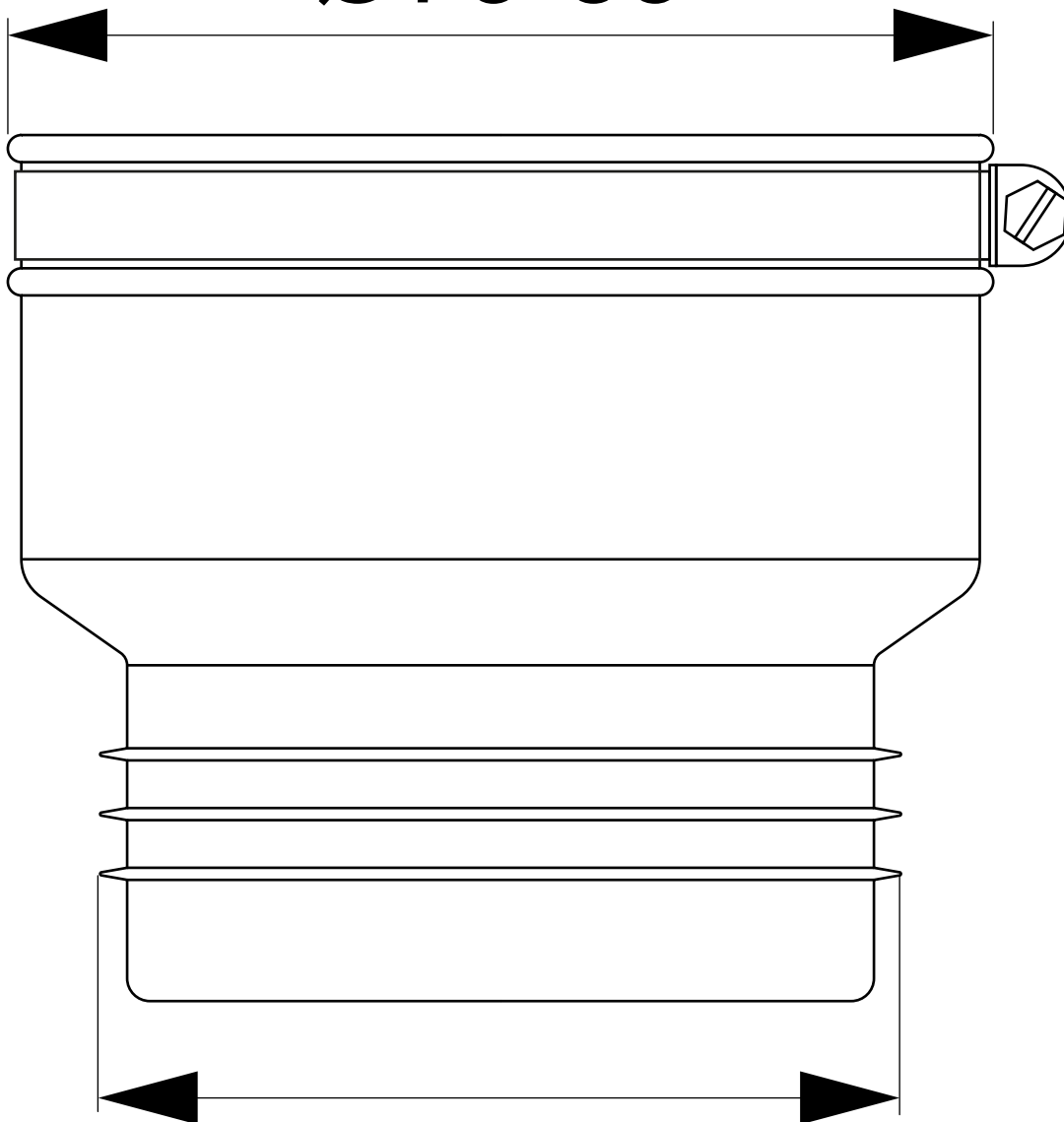


Plug adaptor are used to connect two waste water pipes with the same dimension, as well as waste water pipes with the same or different materials and surface structure. Plug adaptor are suitable for vertical and horizontal installation. It is important to consider the flow direction when installing. One side has a hose clamp for external installation and the other side is for internal installation of waste water pipes. The Plug adaptor are easy to install in a few minutes and are approved for concealed placement. The material is UV-resistant.

## Specifications

<b>RSK Number</b>	3032526
<b>Function</b>	Transition seal inside/outside
<b>Item Color</b>	Black
<b>Material</b>	TPE, PP, Acid-resistant stainless steel 1.4404
<b>Outlet Dimension</b>	73-85/69-75 mm
<b>Pressure Flow Temp</b>	0,6 bar
<b>Version</b>	Type approved for concealed installation

Ø73-85



Ø69-75