

RSK 3032527

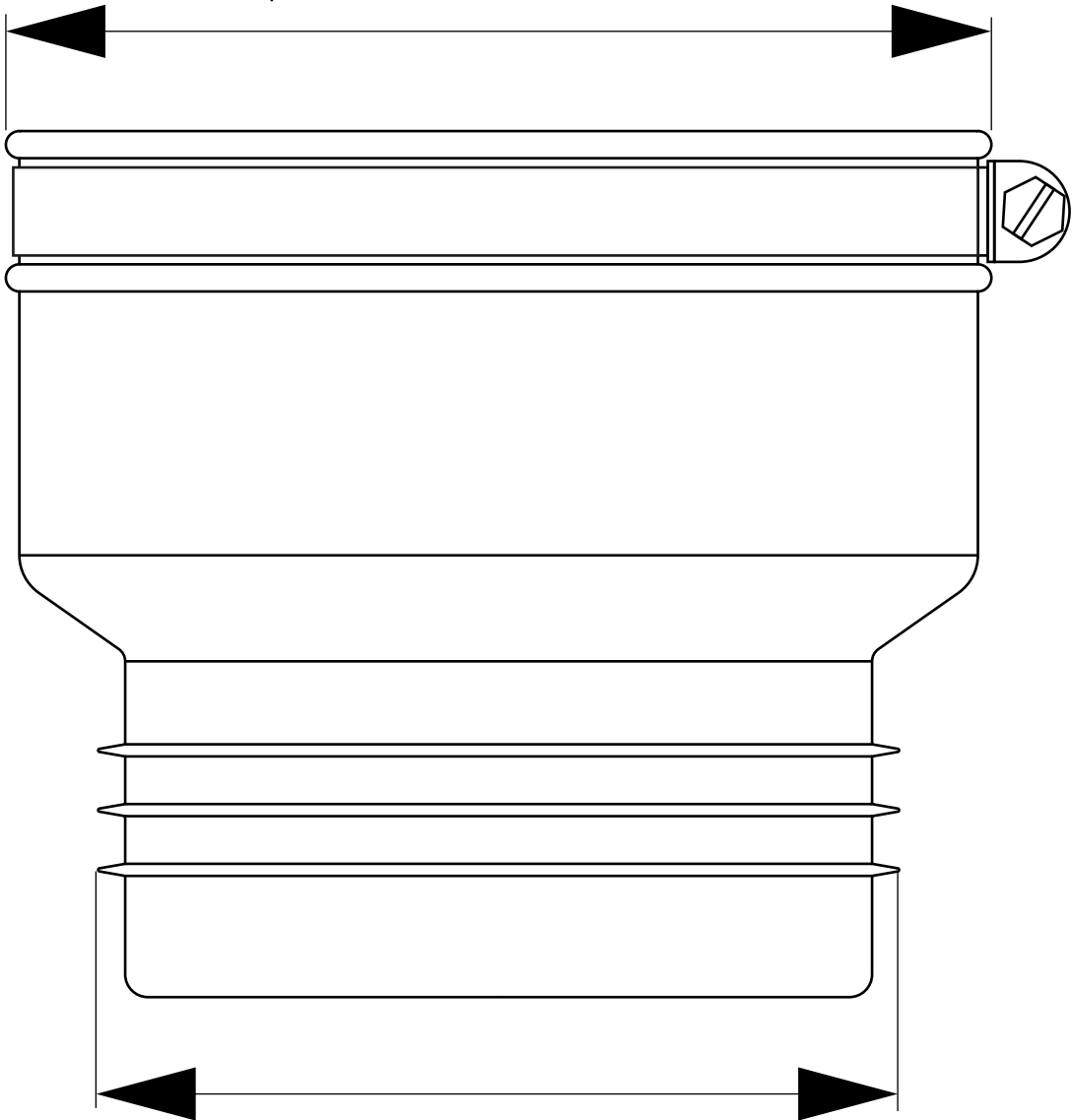


Plug adaptor are used to connect two waste water pipes with the same dimension, as well as waste water pipes with the same or different materials and surface structure. Plug adaptor are suitable for vertical and horizontal installation. It is important to consider the flow direction when installing. One side has a hose clamp for external installation and the other side is for internal installation of waste water pipes. The Plug adaptor are easy to install in a few minutes and are approved for concealed placement. The material is UV-resistant.

Specifications

RSK Number	3032527
Function	Transition seal inside/outside
Item Color	Black
Material	TPE, PP, Acid-resistant stainless steel 1.4404
Outlet Dimension	120-141/117-125 mm
Pressure Flow Temp	0,6 bar
Version	Type approved for concealed installation

Ø120-141



Ø117-125